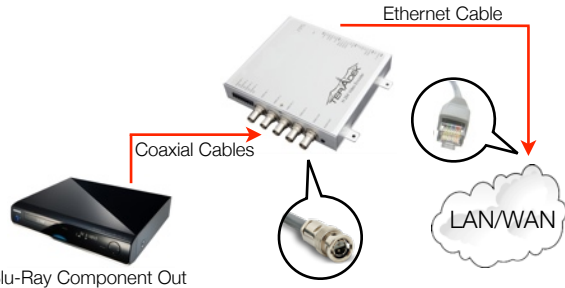


1 Connect Source and Network

Connect coaxial cables from the source to the BNC inputs on Odyssey. Then connect the network. Power is provided over ethernet (PoE) or by a DC power supply.



2 Browse Network to Locate Odyssey

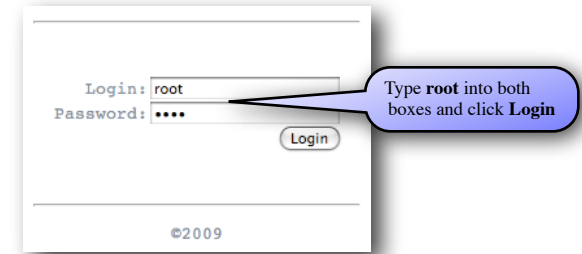
Open your web browser. Use Bonjour to browse and locate Odyssey on the network. Odyssey is displayed by it's Friendly Name, which represents the configuration and capabilities of the unit.



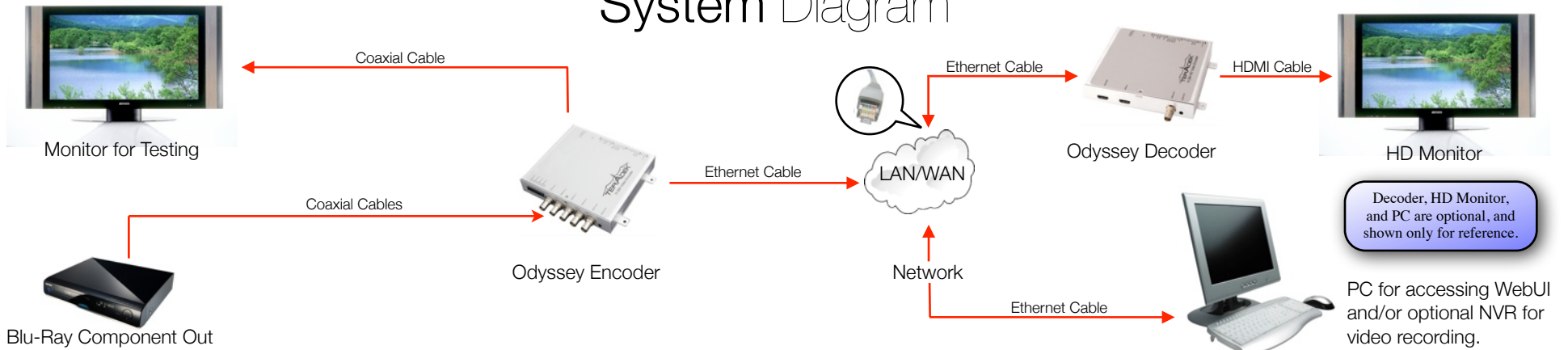
Bonjour is a plugin available for Firefox, Internet Explorer, and included on Safari. Bonjour discovers networked Zero Configuration Networking devices. For more, see section 7 of the user manual.

3 Login to Odyssey's Web Interface

In the Login and Password boxes, type **root**, then click **Login**.



System Diagram



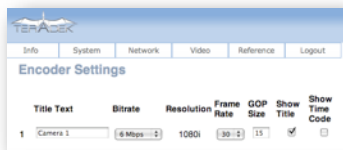
Decoder, HD Monitor, and PC are optional, and shown only for reference.

PC for accessing WebUI and/or optional NVR for video recording.

4 Configure Encoder in Menu System

Use the menu system of Odyssey's WebUI to configure the unit. Mouse over the menu system to view the drop down lists.

In Video - Encoder Settings, give descriptive names you video sources.



5 Verify Live Local Video

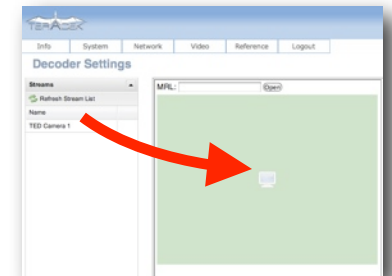
Connect a monitor to Odyssey's SD output. Verify that Odyssey is encoding video locally before attempting to view video over the network. (Optional)



6 Verify Live Streaming Video

In the Live Video window of the WebUI, drag one of Odyssey's video streams into a cameo to begin viewing live video. Double clicking will enter full-screen mode.

Your browser must have the VLC plugin installed to view video.



Troubleshooting Guide

I can't find Odyssey with Bonjour.

Check to ensure that all network firewalls are disabled. If hardware firewalls or other filtering devices are present on the network between Odyssey and the client system, try moving Odyssey to a new network location that is not filtered by these devices.

If there are no firewall issues, please note that the Friendly Name displayed by Bonjour most likely will not include the word "Odyssey"

Why are the cameos on the Live Video page of the WebUI Black?

The screen is black when the video stream is experiencing a disruption between Odyssey and the client PC. A black screen that persists for longer than 20 seconds may be a symptom of firewall or antivirus interference with the video stream.

Why are the cameos on the Live Video page of the WebUI Blue?

A blue screen indicates that a good connection between the WebUI and Odyssey exists, but Odyssey has experienced video loss and is not encoding video.

I see video, but there is no sound.

In the Video Input Settings menu, check that Analog Audio Input is selected in the audio field.

What are the default network settings?

- IP Address: 192.168.1.200
- Netmask: 255.255.255.0
- Default Gateway: 192.168.1.1
- DNS Server: 192.168.1.1
- Device Hostname: odyssey
- Zero Configuration Friendly Name: odyssey



8001 Irvine Center Drive, Suite 400
Irvine, CA 92618
Telephone: +888 941 2111
support@teradek.com
www.teradek.com

Quick
Start
Guide

Odyssey
1HDe3
by
Teradek